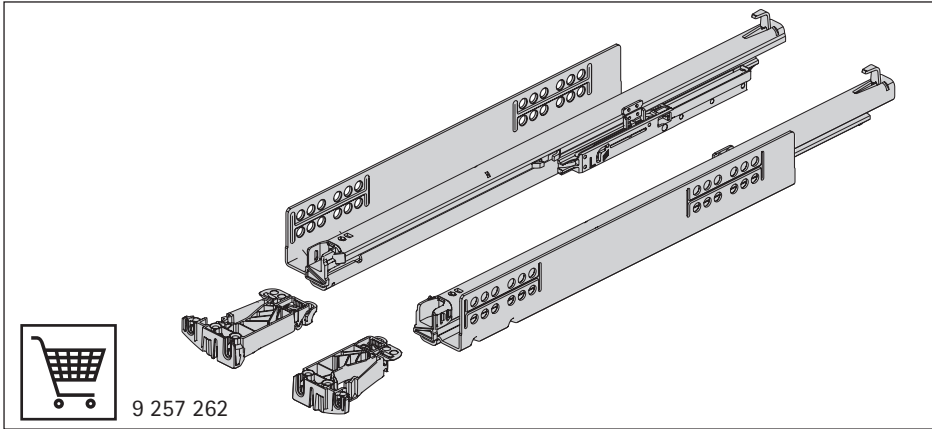


Quadro V6 YOU

Silent System / Push to open

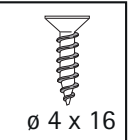
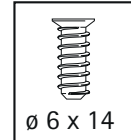
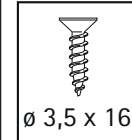


9 257 262

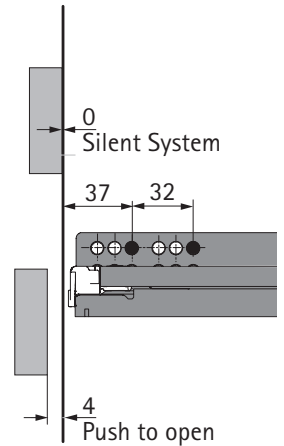
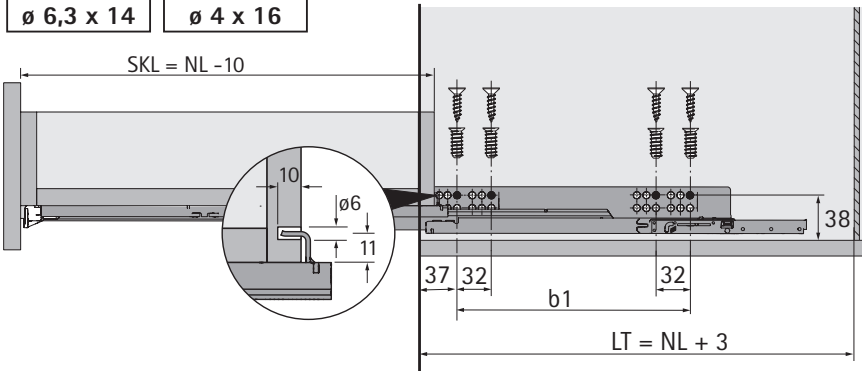
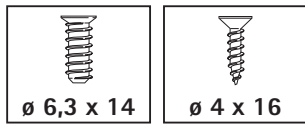


www.hettich.com/short/cf3fe9

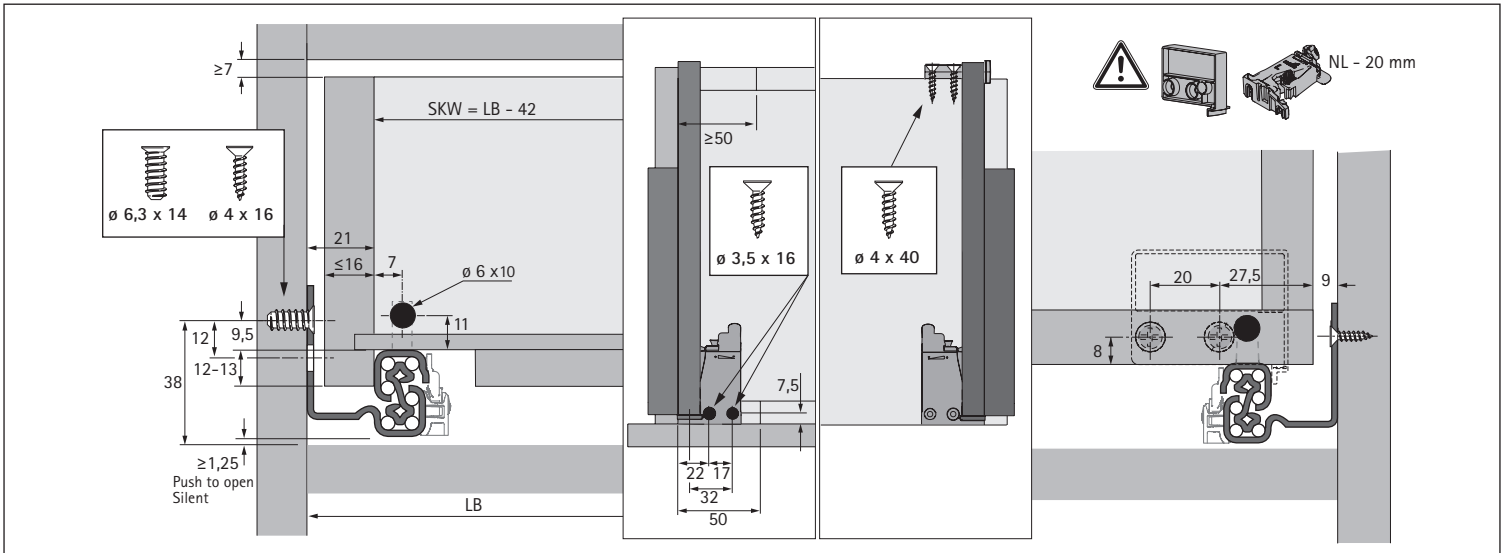
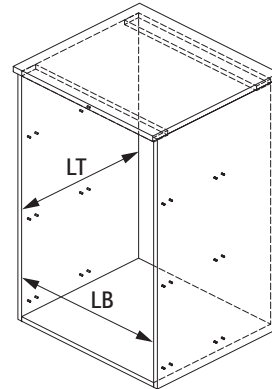
PZ 2



i

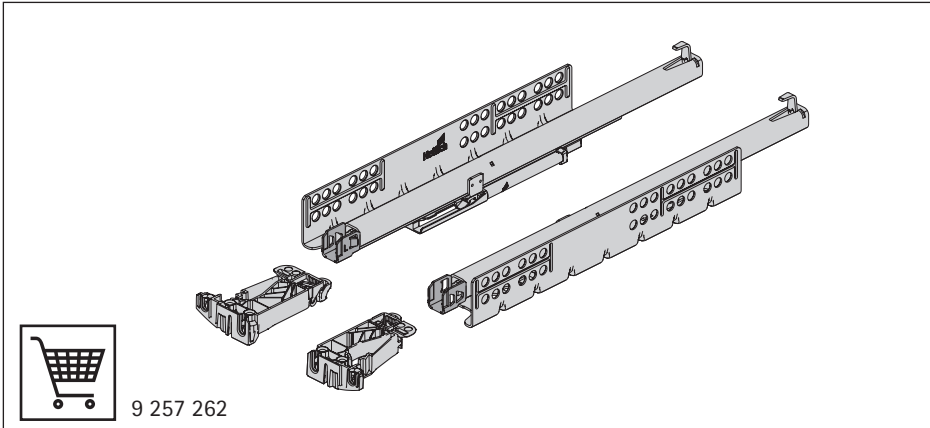


NL mm	b1 mm
250	160
270	160
300	160
320	224
350	224
380	224
400	224
420	224
450	256
480	256
500	256
520	256
550	256
600	256






Quadro 25 YOU

Silent System / Push to open




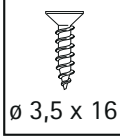
9 257 262

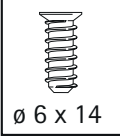
www.hettich.com/short/rzd2hsi

PZ 2

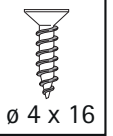




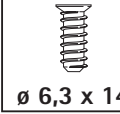
ø 3,5 x 16




ø 6 x 14



ø 4 x 16



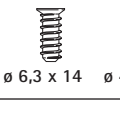
ø 6,3 x 14



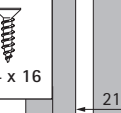
ø 4 x 16

$SKL = NL - 10$

NL mm	b1 mm	EL mm
270	160	60
300	160	60
320	192	70
350	192	70
380	224	70
400	224	74
420	224	74
450	256	95
480	256	95
500	256	105
520	256	105
550	256	105



ø 6,3 x 14


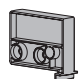
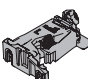


ø 4 x 16

$SKW = LB - 42$

$≥50$

$ø 4 x 40$

NL - 20 mm

