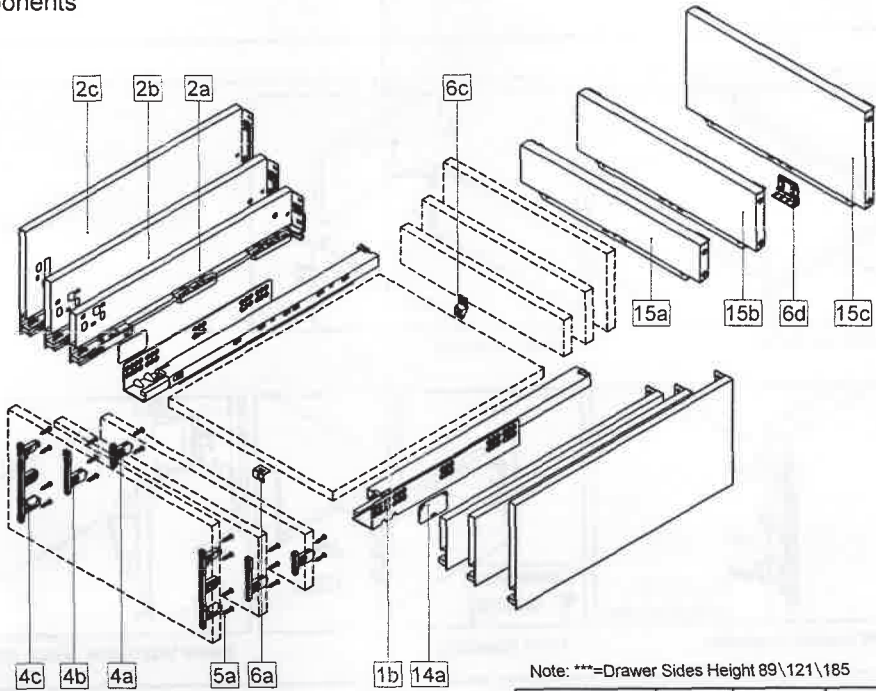


Components

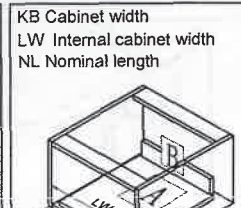
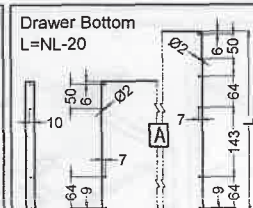
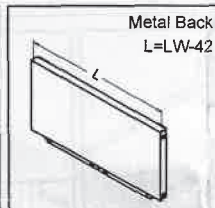
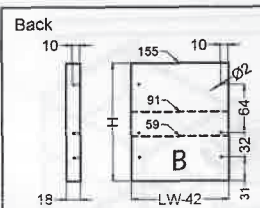


1b. Cabinet profiles L/R	5a. Front fixing-brackets screw (Ø4x17)
2a. 89 Drawer Sides L/R	6a. Front fixing (for wide drawer)
2b. 121 Drawer Sides L/R	6c. Back fixing (for wide drawer)
2c. 185 Drawer Sides L/R	6d. Metal back fixing (for wide drawer)
4a. 89 Front fixing-brackets	14a. Side cover plate
4b. 121 Front fixing-brackets	15a. Metal back height 89
4c. 185 Front fixing-brackets	15b. Metal back height 121
	15c. Metal back height 185

Note: ***=Drawer Sides Height 89\121\185

Item No.	Nominal length	Internal drawer length	Min.installation length of drawer
808BR***27018	270mm	242mm	275mm
808BR***30018	300mm	272mm	305mm
808BR***35018	350mm	322mm	355mm
808BR***40018	400mm	372mm	405mm
808BR***45018	450mm	422mm	455mm
808BR***50018	500mm	472mm	505mm
808BR***55018	550mm	522mm	555mm
808BR***60018	600mm	572mm	605mm
808BR***65018	650mm	622mm	655mm

Drawer Back and Bottom Dimensions (mm)



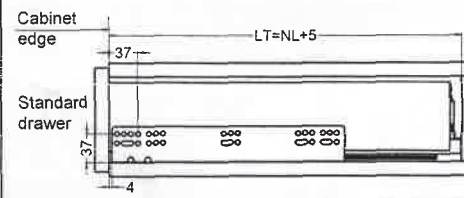
Type	89	121	185
H	59	91	155

KB≥800
Metal back fixed

270~400 450~650

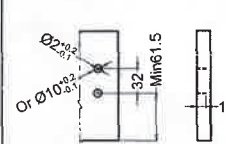
Installation dimensions (mm)

Nominal slide length = NL Internal cabinet depth = LT

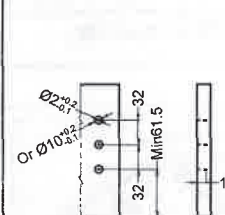


Drawer installation dimensions (mm)

89 Drawer front

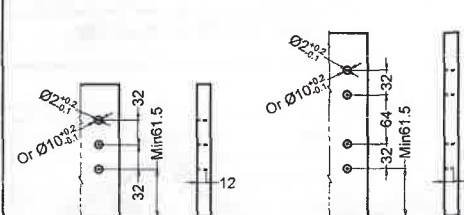


121 Drawer front

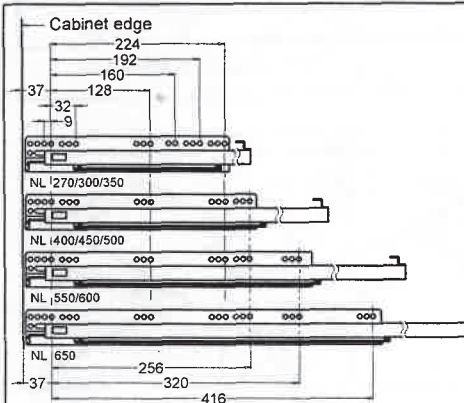


Selection	Drill Size
Wood screw	Ø2 x 12
Anchor bolt	Ø10 x 12

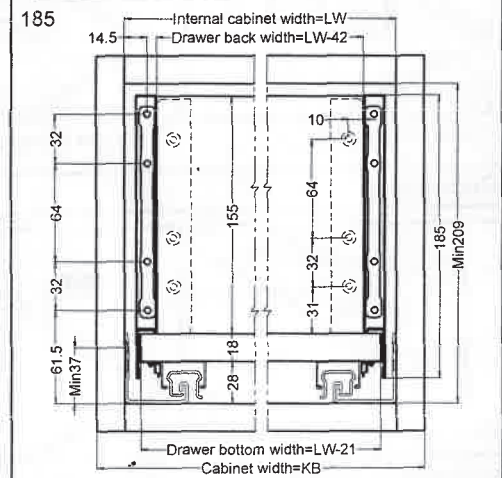
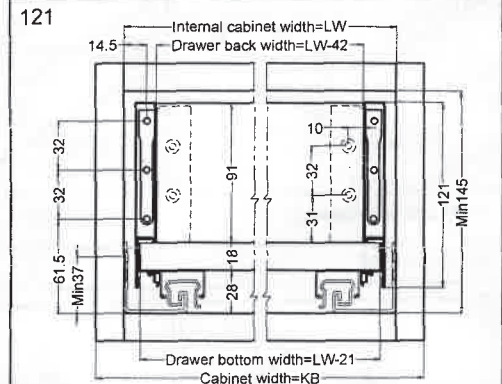
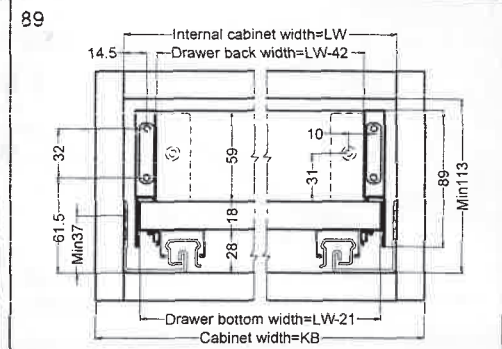
185 Drawer front

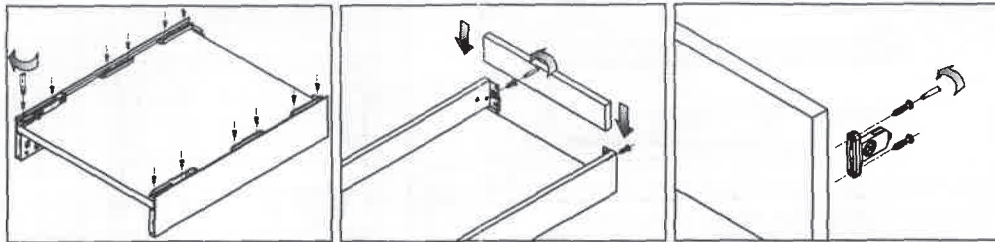


Screw positions of the sides (mm)



Drawer installation dimensions (mm)

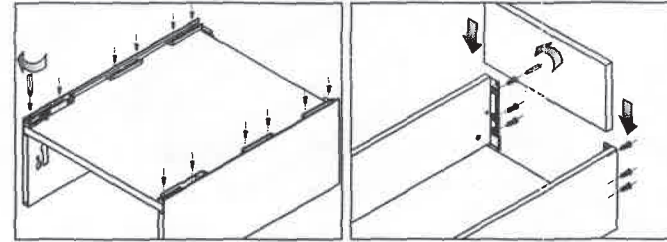




Bottom assembly

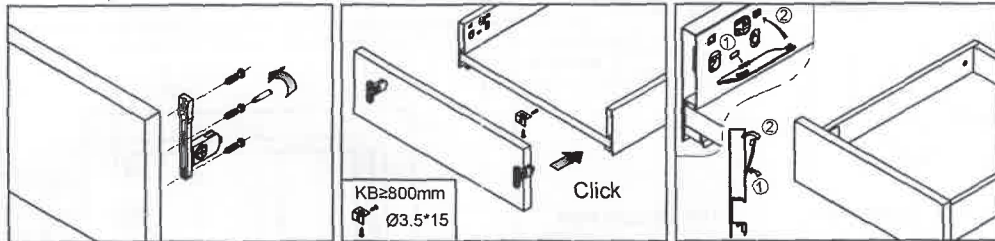
Back assembly

Front bracket assembly



Bottom assembly

Back assembly



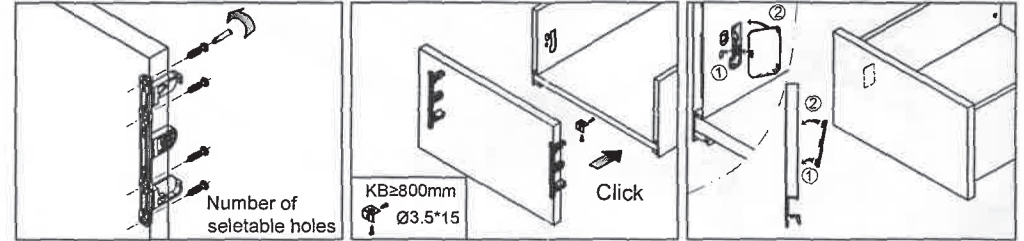
Front bracket assembly

Front assembly

Inside Wall Cover assembly

KB≥800mm
Ø3.5*15

Click



Front bracket assembly

Front assembly

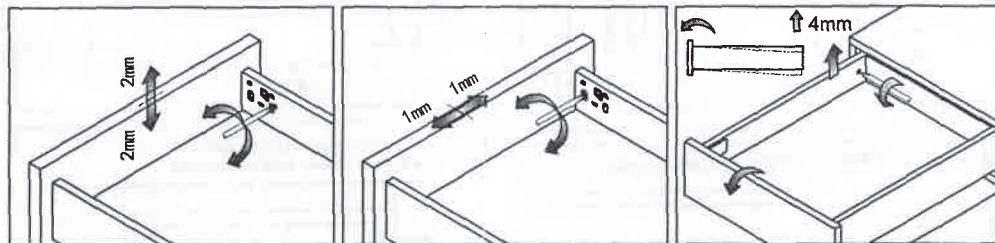
Inside Wall Cover assembly

Number of
selectable holes

KB≥800mm
Ø3.5*15

Click

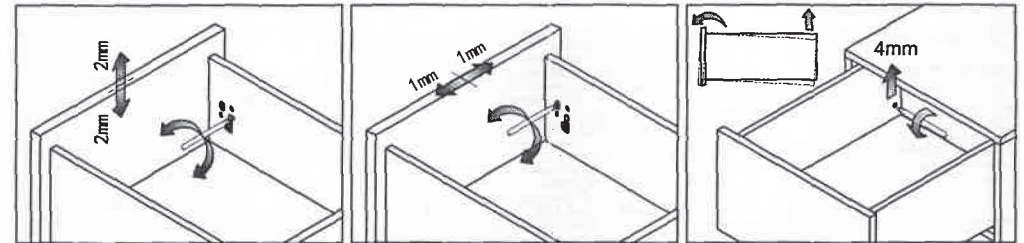
Adjustment



Up&down adjustment

Left&right adjustment

Front slope angle adjustment

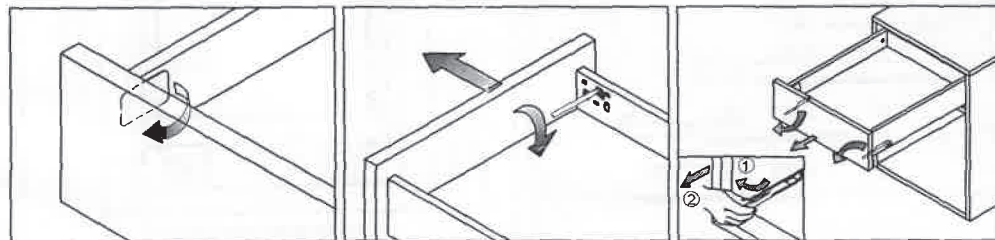


Up&down adjustment

Left&right adjustment

Front slope angle adjustment

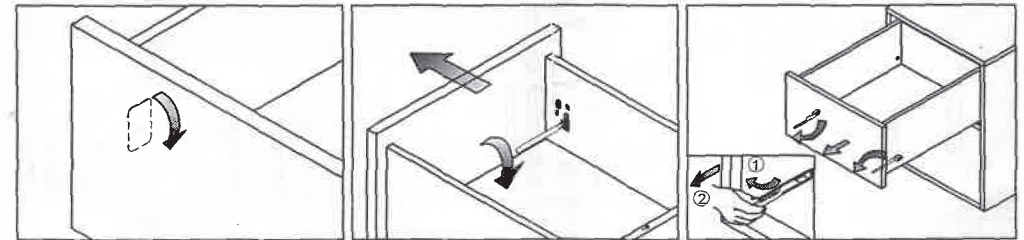
Removal



Tip up the cover and pull out

Removal drawer front

Removal drawer



Tip up the cover and pull out

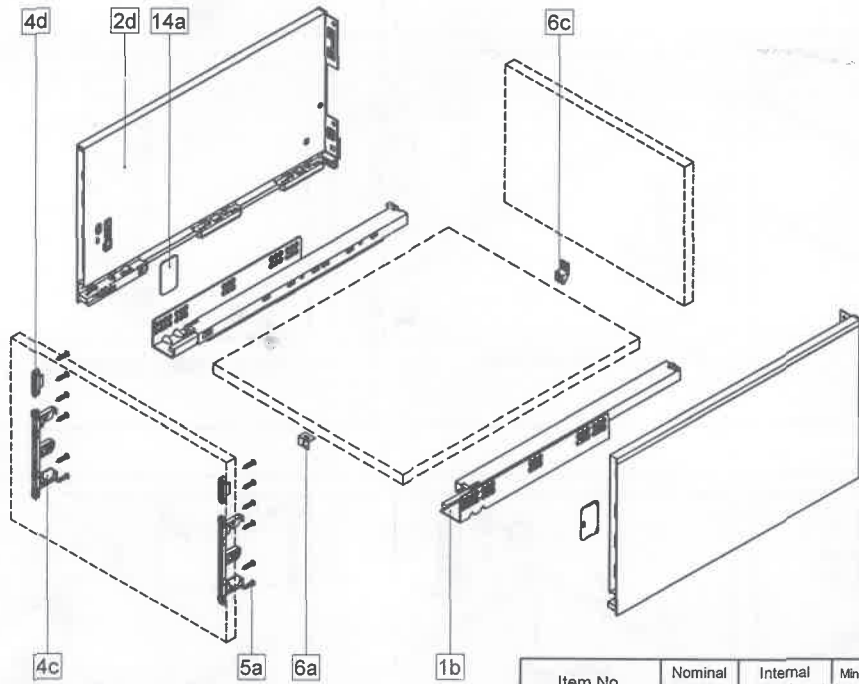
Removal drawer front

Removal drawer

StrongMax18 H 249 NL 270-650



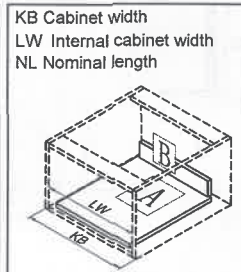
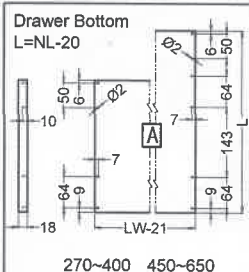
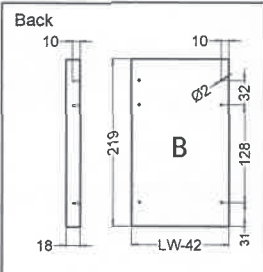
Components



1b. Cabinet profiles L/R	5a. Front fixing-brackets screw (Ø4x17)
2d. 249 Drawer Sides L/R	6a. Front fixing (for wide drawer)
4c. 185 Front fixing-brackets	6c. Back fixing (for wide drawer)
4d. 249 Front fixing-brackets	14a. Side cover plate

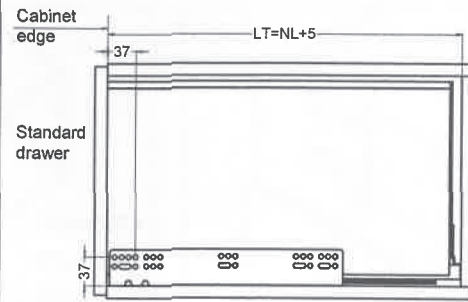
Item No.	Nominal length	Internal drawer length	Min. installation length of drawer
808BR24927018	270mm	244mm	275mm
808BR24930018	300mm	274mm	305mm
808BR24935018	350mm	324mm	355mm
808BR24940018	400mm	374mm	405mm
808BR24945018	450mm	424mm	455mm
808BR24950018	500mm	474mm	505mm
808BR24955018	550mm	524mm	555mm
808BR24960018	600mm	574mm	605mm
808BR24965018	650mm	624mm	655mm

Drawer Back and Bottom Dimensions (mm)



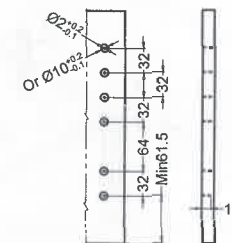
Installation dimensions (mm)

Nominal side length=NL Internal cabinet depth=LT



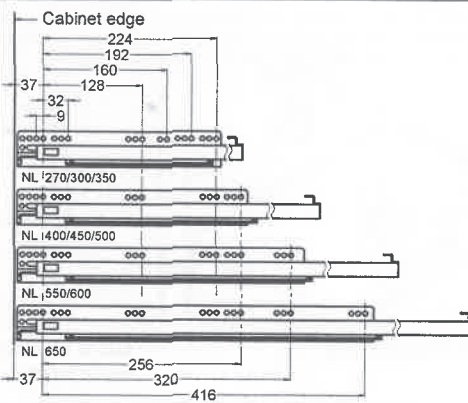
Drawer installation dimensions (mm)

249 Drawer front

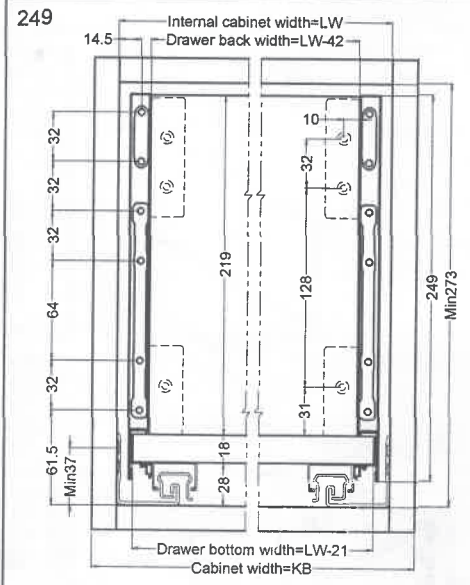


Selection	Drill Size
Wood screw	Ø2 x 12
Anchor bolt	Ø10 x 12

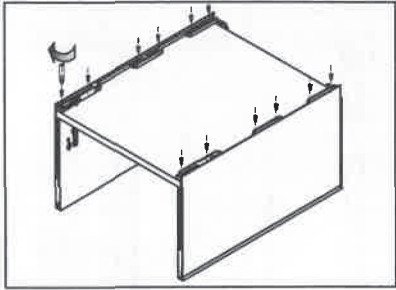
Screw positions of the sides (mm)



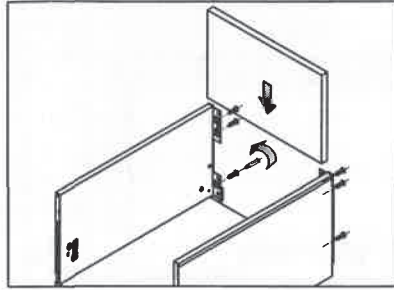
Drawer installation dimensions (mm)



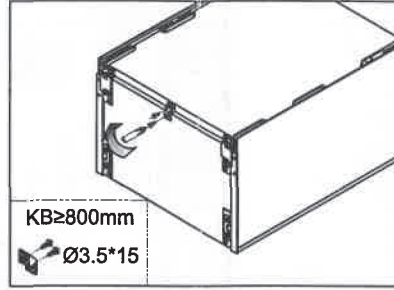
Assembly-



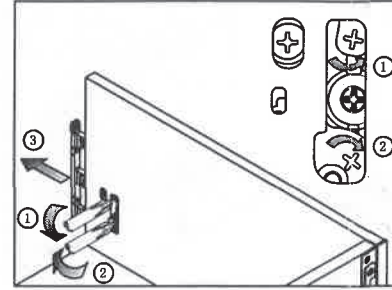
Bottom assembly



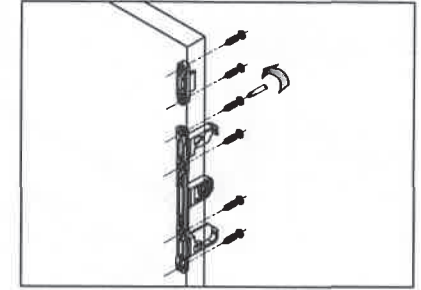
Back assembly



Back fixing assembly

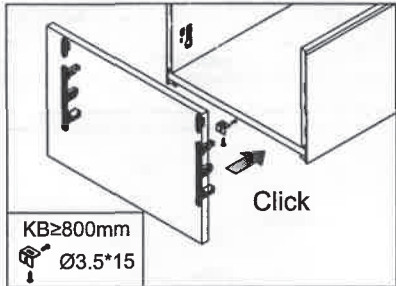


Front bracket release

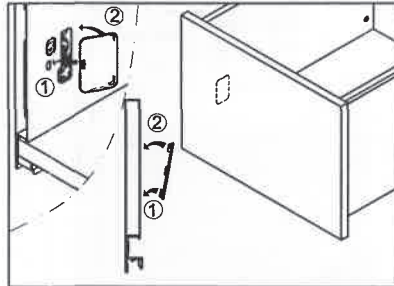


Front bracket assembly

Assembly

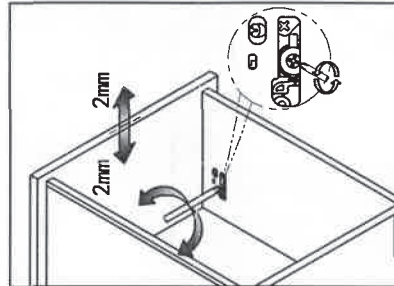


Front assembly

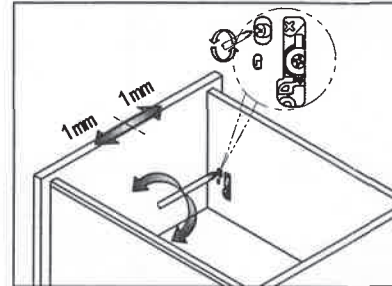


Inside Wall Cover assembly

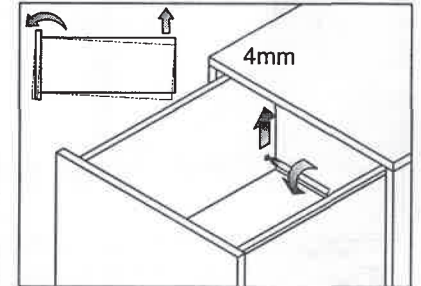
Adjustment



Up&down adjustment

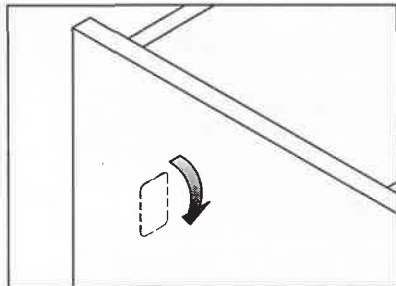


Left&right adjustment

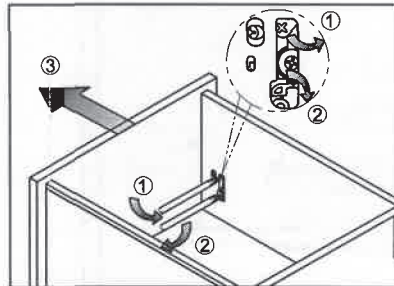


Front slope angle adjustment

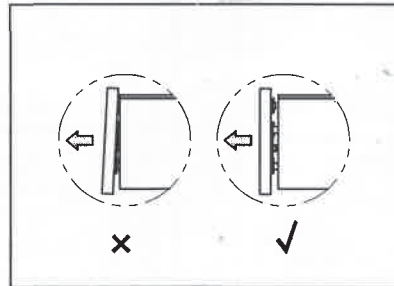
Removal



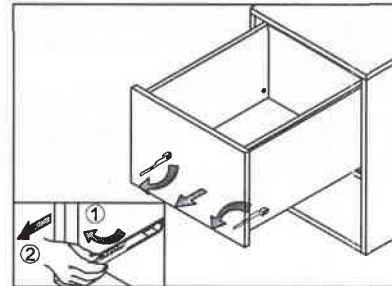
Tip up the cover and pull out



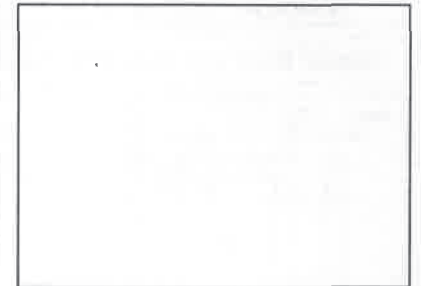
Removal drawer front



Move the drawer front out horizontally

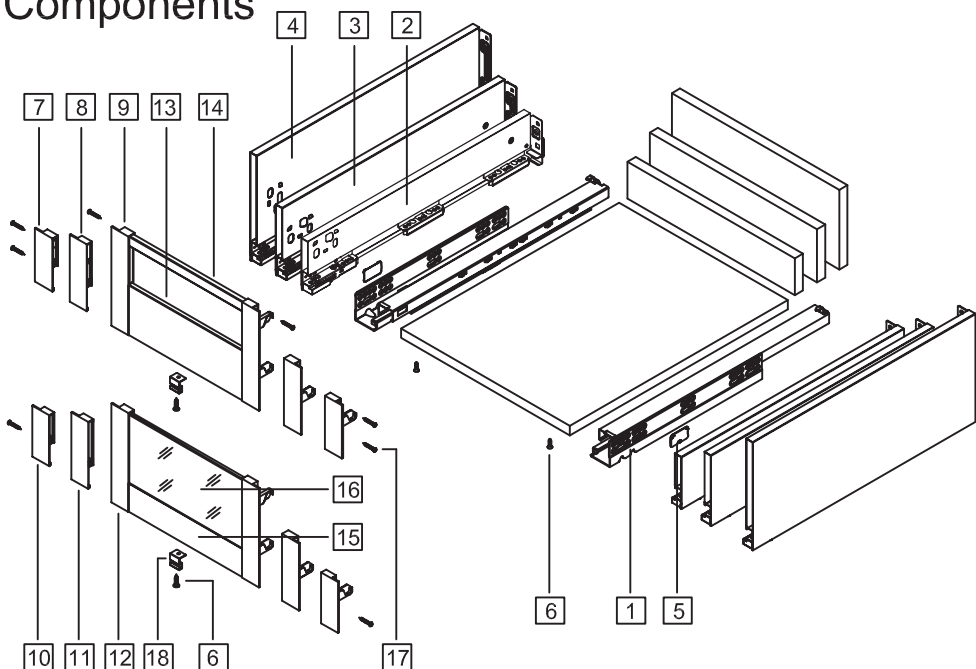


Removal drawer



StrongMax18 H 89/121/185 Inner drawer

Components



1. Cabinet profiles: L/R	10. 89-2 Front Fixing brackets L/R	Nominal length	Internal drawer length	Min. installation length of drawer
2. 89 Drawer profiles: L/R	11. 121-2 Front Fixing brackets L/R			
3. 121 Drawer profiles: L/R	12. 185-2 Front Fixing brackets L/R			
4. 185 Drawer profiles: L/R	13. 1 Front section			
5. Side cover plate	14. Cross square rail			
6. Bottom & Back screw (Ø3.5x15)	15. 2 Front section	270mm	234mm	275mm
7. 89-1 Front Fixing brackets L/R	16. Glass Front (89/121/185)	300mm	264mm	305mm
8. 121-1 Front Fixing brackets L/R	17. Front section Screw (Ø4x30/Ø4x17)	350mm	314mm	355mm
9. 185-1 Front Fixing brackets L/R	18. Bottom fixed	400mm	364mm	405mm
		450mm	414mm	455mm
		500mm	464mm	505mm
		550mm	514mm	555mm

Drawer Back and Bottom Dimensions

Back

Metal Back L=LW-42

Drawer Bottom L=NL-20

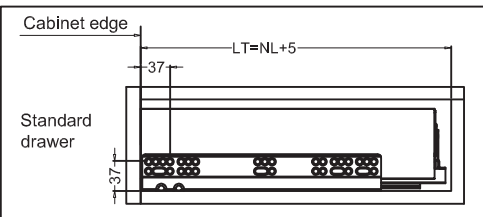
KB Cabinet width
LW Internal cabinet width
NL Nominal length

Type	89	121	185
H (mm)	59	91	155

KB ≥ 800mm
Metal back fixed

Installation dimensions (mm)

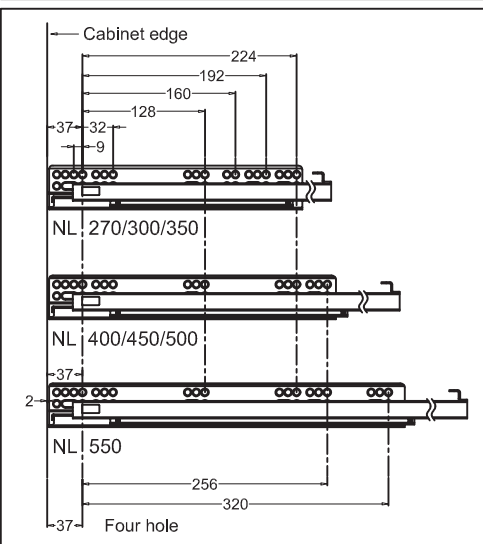
Nominal slide length=NL Internal cabinet depth=LT



Accessories cutting (mm)

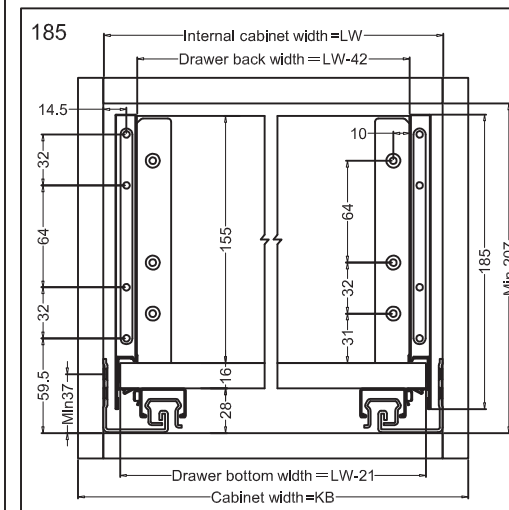
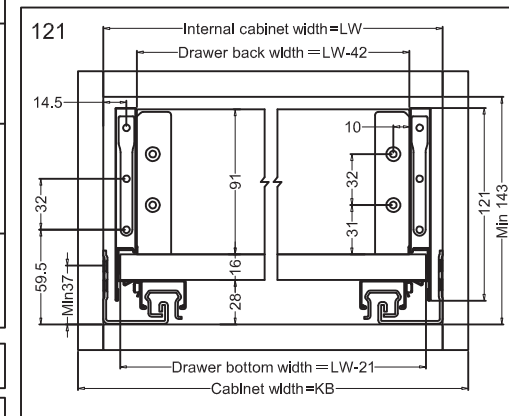
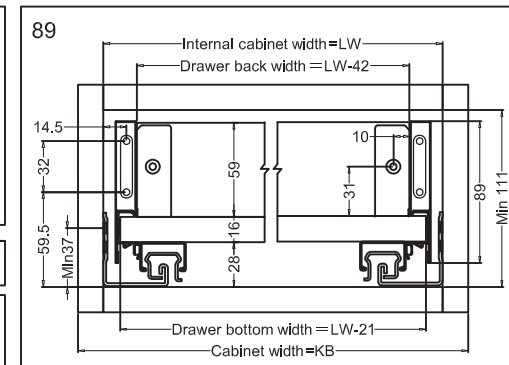
14. 808-1 Front section L=LW-87		KB ≥ 800mm
16. 808-2 Front section L=LW-87		KB ≥ 800mm
17. 808 Glass Front (89/121/185) L=LW-55		
15. Cross square rail L=LW-55		

Screw positions of the sides

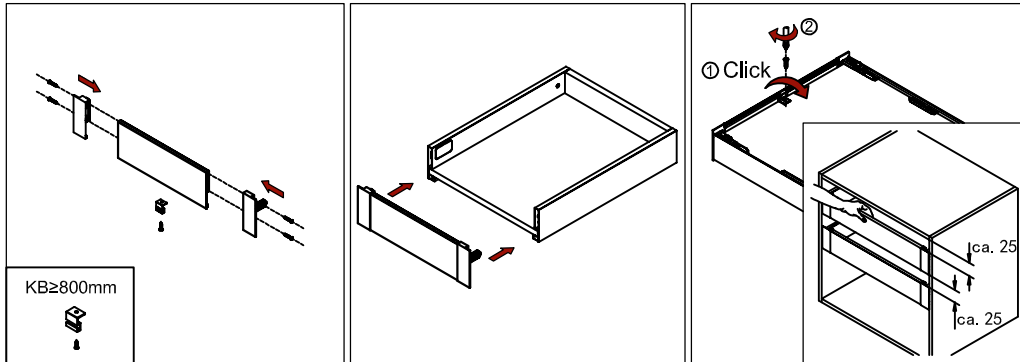


Drawer installation dimensions (mm)

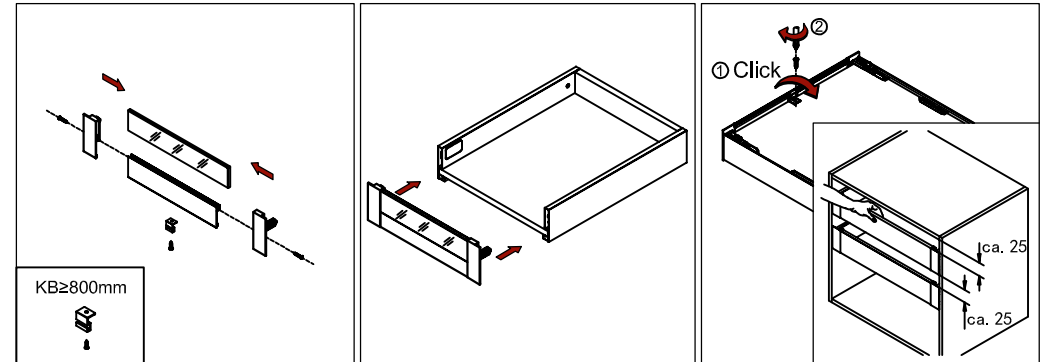
LW=Internal cabinet width



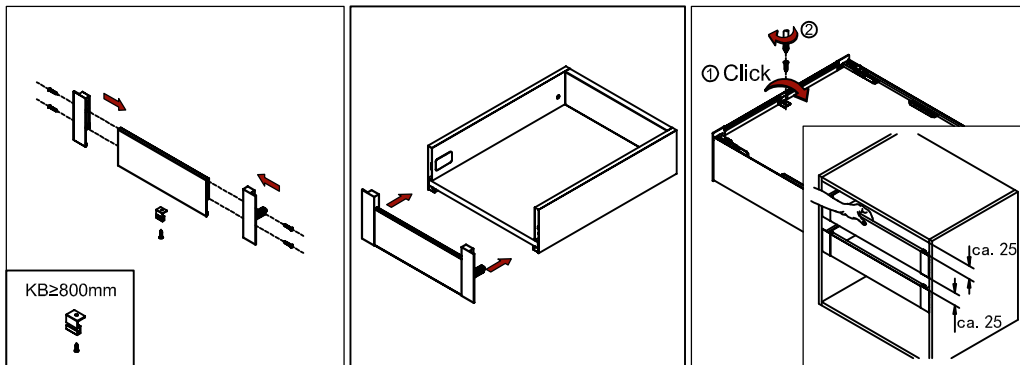
StrongMax - 89 Inner drawer front assembly



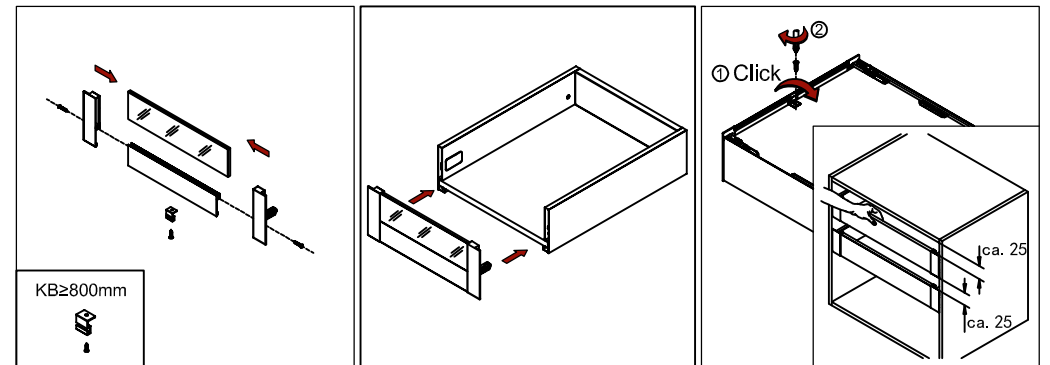
StrongMax - 89 Inner drawer glass front assembly



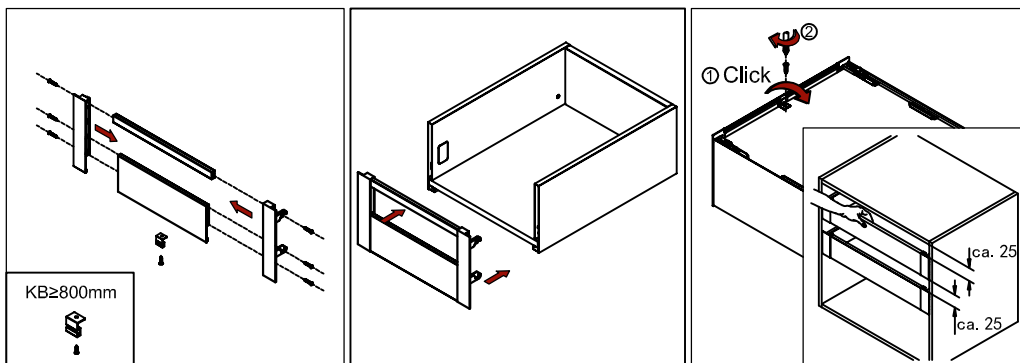
StrongMax - 121 Inner drawer front assembly



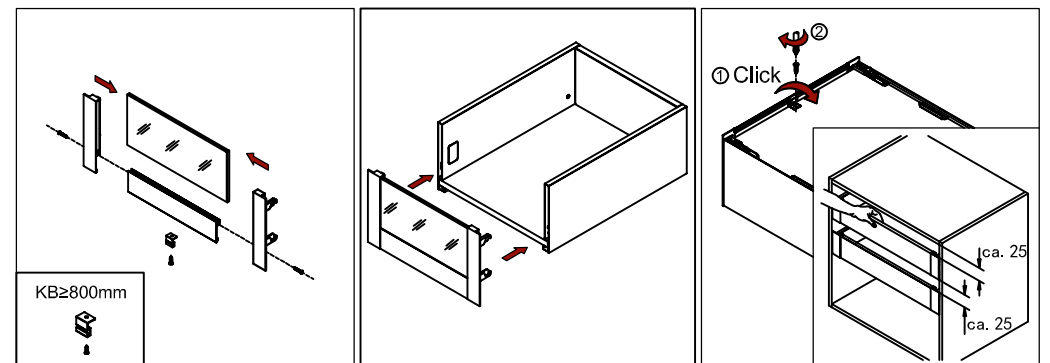
StrongMax - 121 Inner drawer glass front assembly



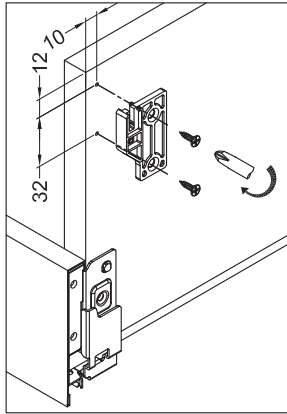
StrongMax - 185 Inner drawer front assembly



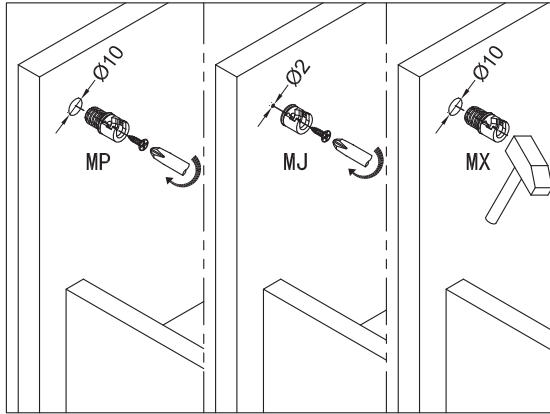
StrongMax - 185 Inner drawer glass front assembly



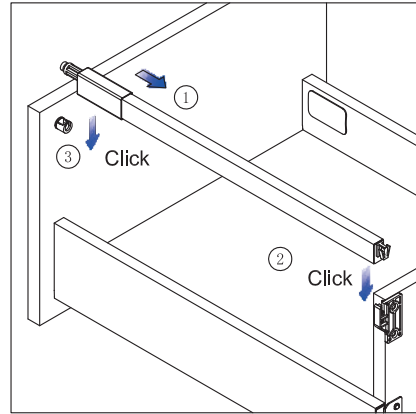
StrongMax Extension Rails



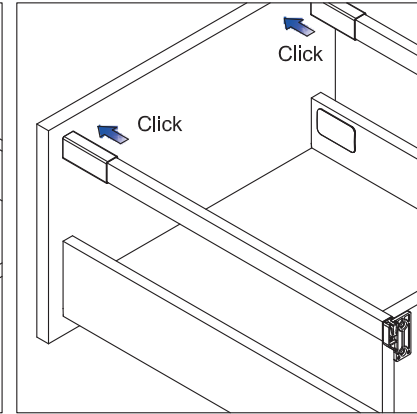
Fix rail rear brackets L/R



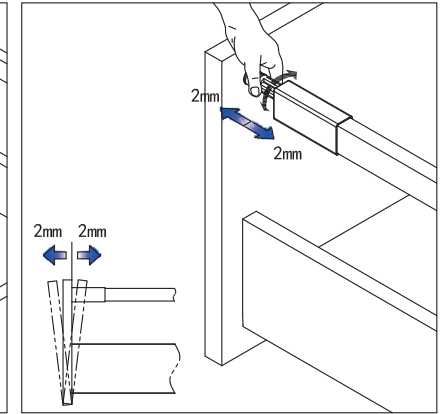
Fix dowels (MP/MJ/MX)



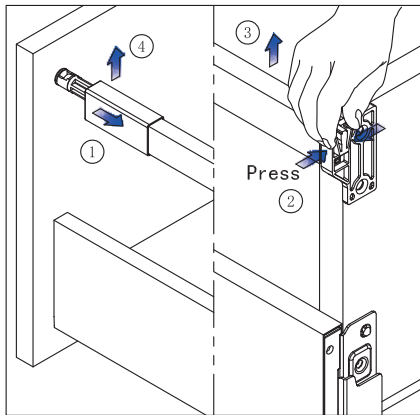
Click on rails L/R



Slide-on the cover, Done!



Turn insert to adjust length of rail



Remove the rails