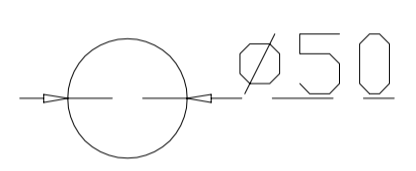
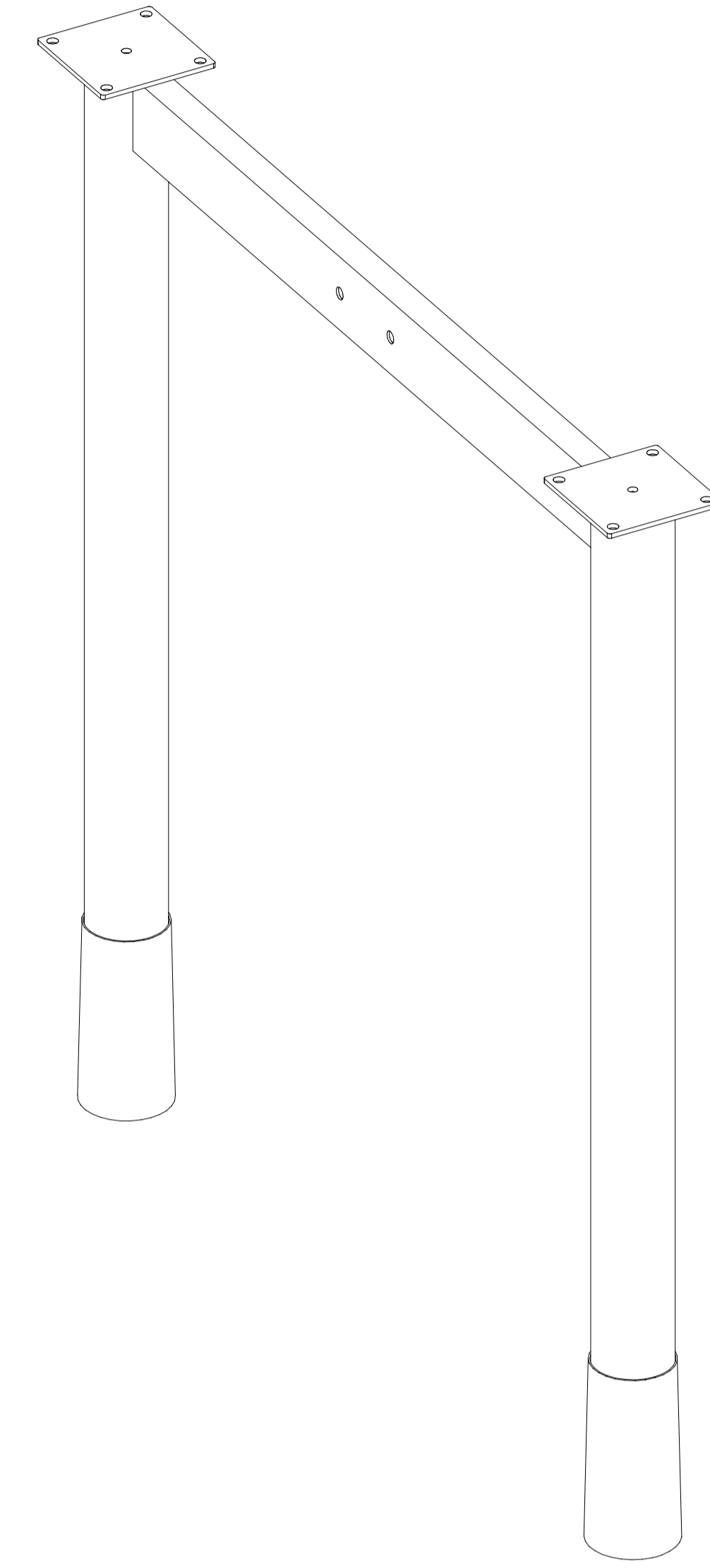
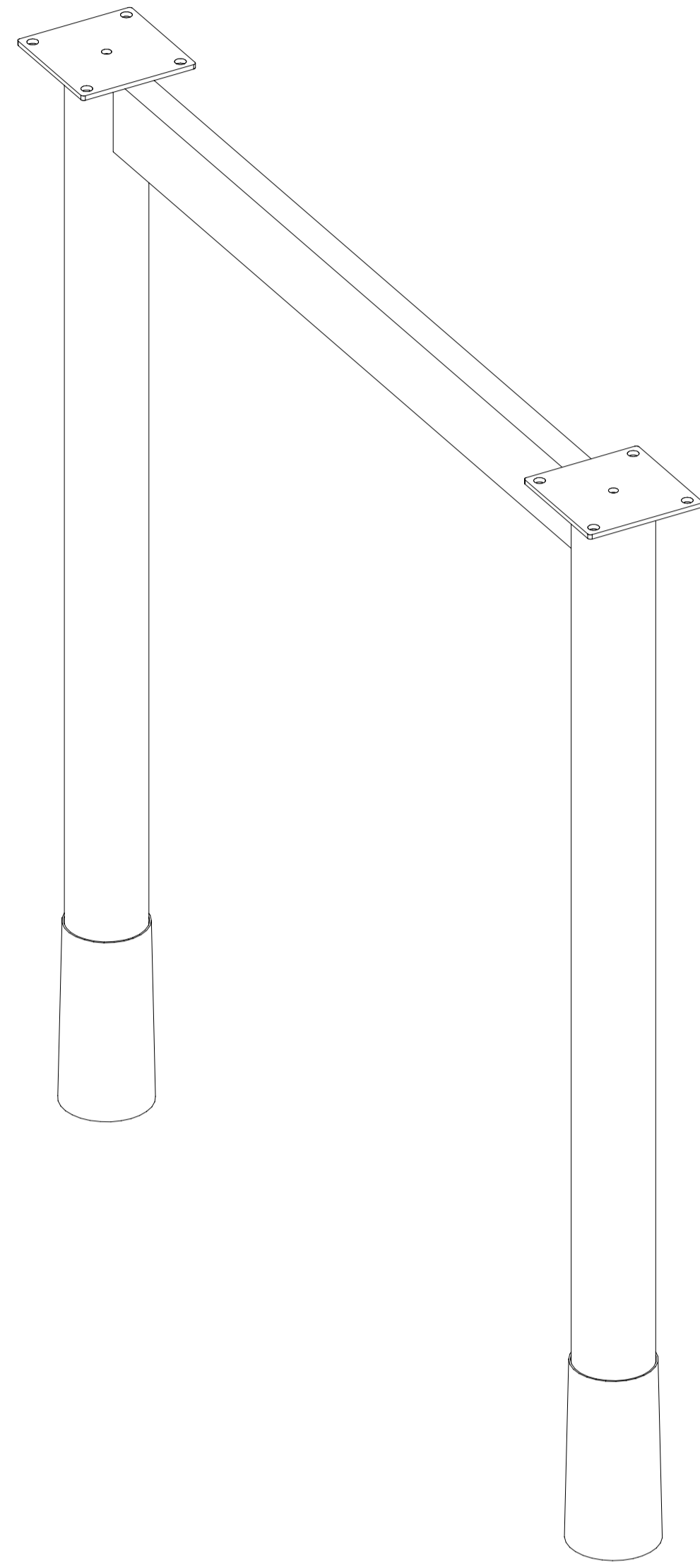


# GRUPA VI GROUP VI

STELAŽ  
STEEL LEGS  
ST 511 / 60, ST 511 / 70,  
ST 511 / 80

# MILA DESIGN



ST 511 / 60  
\* 600 mm

ST 511 / 70  
\* 700 mm

ST 511 / 80  
\* 800 mm

