







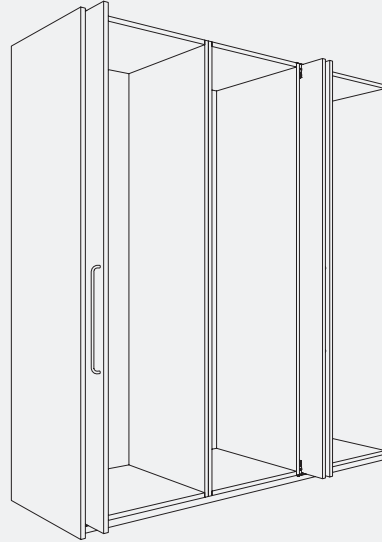
Fitting for pivoting and lateral sliding in of wooden doors up to 25 kg (55 lbs.). Enables multi-functional room design, paired with a flush-fitting design.

Product highlights

-  **Flexibility** Tremendous flexible door dimensions provides a high degree of design freedom
-  **Comfort** Easy, quiet operation thanks to soft closing mechanism and hinges with integrated soft closing mechanism

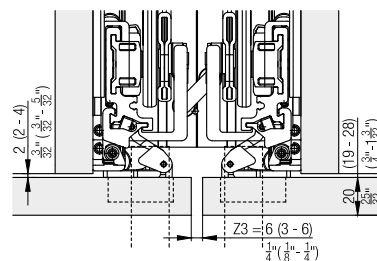
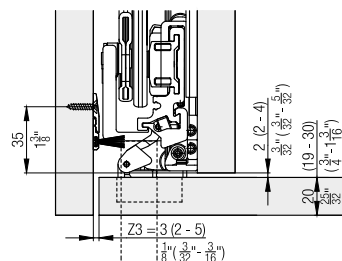
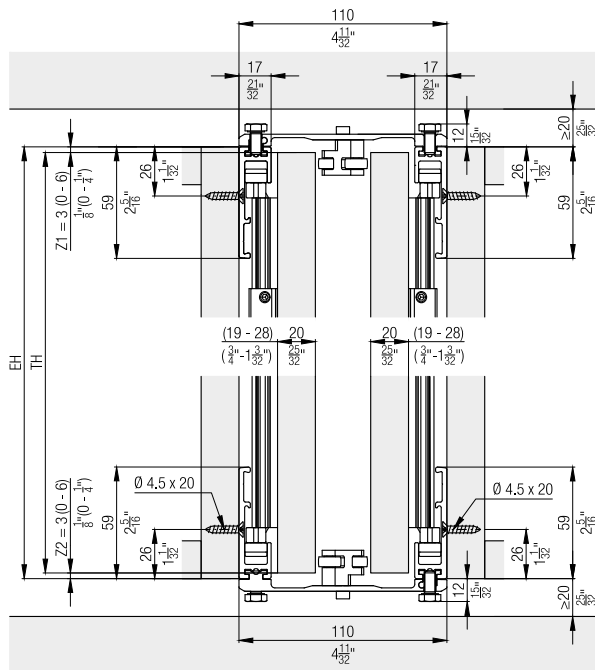
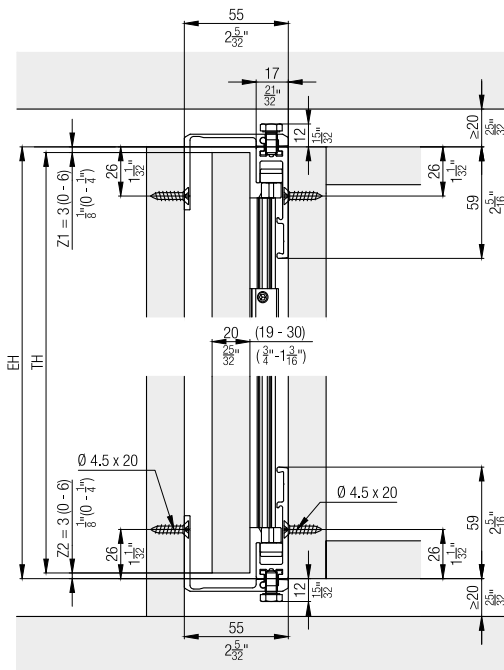
Technical specifications

-  Max. 10–25 kg (22 to 55 lbs.)
-  Max. 1250–1850 mm (4'1 7/32" to 6' 27/32")
-  Max. 300–750 mm (11 13/16" to 2'5 17/32")
-  19–50 mm (3/4" to 1 31/32")

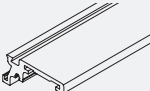
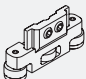
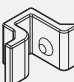



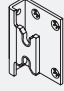
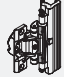

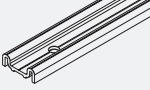




Installation examples

Door striking against the top and bottom cabinet sections

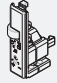
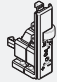

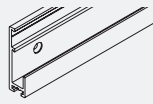
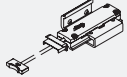

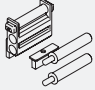

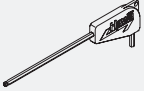
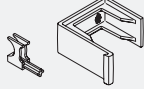


Set for 1 pivot /slide-in door up to 25 kg (55 lbs.)


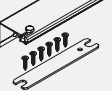

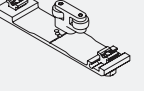
		No.	
Hawa Concepta 25, for 1 door		27648	
		27648	No.
Set consisting of:			
	Upright, 1800 mm (5'10 7/8"), aluminum, anodized	1	22055
	Upright guide, rattle proof, with plastic rollers	2	25656
	Torsion plate	1	27704
	Scissor action complete, 900 mm (2'11 7/16"), steel, galvanized	1	22592
	Front scissor guide, aluminum, anodized	1	25592
	Rear scissor guide, aluminum, anodized	1	25596
	Rear scissor bearing, 55 mm (2 5/32"), steel, galvanized	1	25855
	Concealed hinge, with damper, steel, galvanized, 3 piece-set	1	27654
	Set of screws for concealed hinges, 4x16 mm (5/8"), set of 10 pieces	1	25935
	Spacer profile, 860 mm (2'9 27/32"), pre-drilled, plastic, black	1	22861
	Set of screws for spacer profile, PH 4x16 mm (5/8"), set of 7 pieces	1	25562
	Brush guide, plastic, black, set of 3 pieces	1	25815

Continued table on next column


Table continued from previous column

	Stop cover cap Hawa Concepta, depth adjustable, top left/bottom right	1	27657
	Stop cover cap Hawa Concepta, depth adjustable, top right/bottom left	1	27658
	Cover plates, stainless steel, 1 pair	1	24739
	Bottom guide channel, 728 mm (2'4 21/32"), aluminum, anodized, pre-drilled	2	24533
	Stop damper, with retaining bracket	1	24661
	Door retractor 25/50, with damper, plastic, black	1	25814
	Soft closing system for end position, with cover caps, plastic, black	1	25862
	Screw set, 4,5x20 mm (25/32"), set of 22 pieces	1	22451
	Allen key, with handle, 3 mm (1/8")	1	13164
	Installation aid, plastic, red	1	25816


Cabinet connecting profile

		mm (inch)	No.
	Connector 55 mm (2 5/32"), for one pivot/slide-in door, aluminum, plain anodized, 2 pieces	650 (2' 1 19/32")	25438
	Connector 55 mm (2 5/32"), for one pivot/slide-in door, aluminium, anodized, 1 piece	650 (2' 1 19/32")	23221
		900 (2' 11 7/16")	23222
	Connector 110 mm (4 11/32"), for two pivot/slide-in doors, aluminium, anodized, 1 piece	650 (2' 1 19/32")	23223
		900 (2' 11 7/16")	23224
	Connector 110 mm (4 11/32"), for two pivot/slide-in doors, aluminium, anodized, 1 piece (for installation in front of a fixed base)	26 (1 1/32")	23225

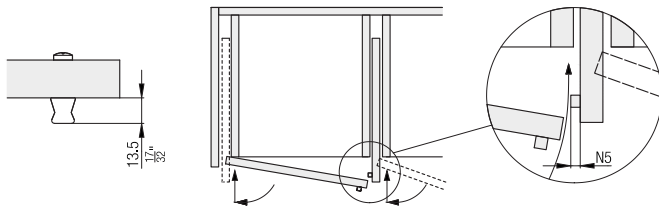
Guides

		No.
	Guide for two inset pivot sliding doors, aluminum	25680

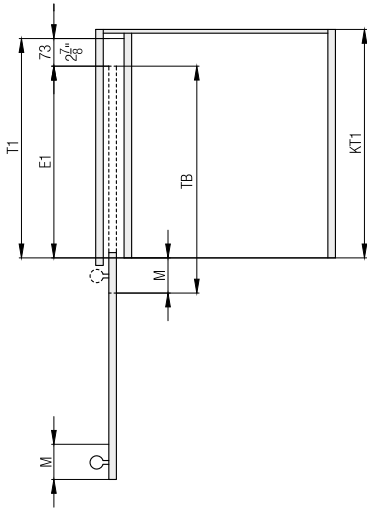
Door handles

		mm (inch)	No.
	Door handle, aluminum, anodized	400 (1' 3 3/4")	22692

Door handle height



Fitting depth calculations



$$T1 = TB - M + 73 \text{ mm}$$

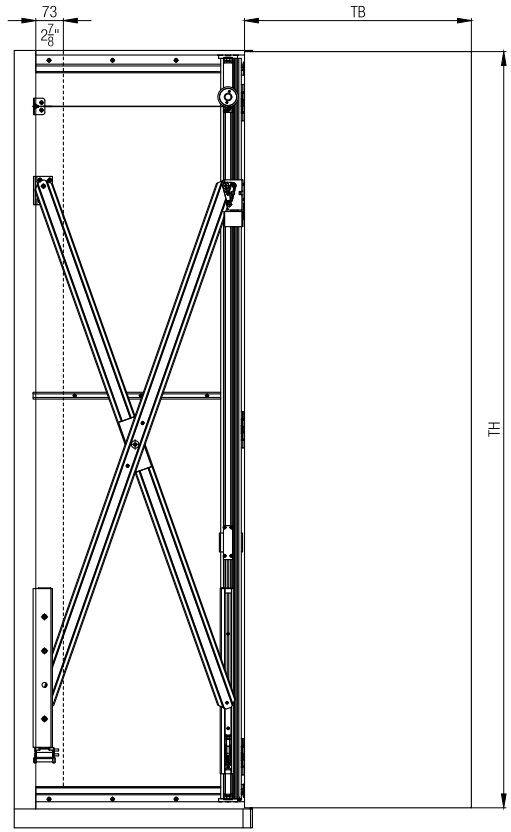
$$E1 = T1 - 73 \text{ mm}$$

$$T1 = TB - M + 2\frac{7}{8}''$$

$$E1 = T1 - 2\frac{7}{8}''$$

	T1	TH	E1
Hawa Concepta 25	≤ 650 mm	1250 - 1850 mm	300 - 577 mm

	T1	TH	E1
Hawa Concepta 25	≤ 2' 1 $\frac{19}{32}$ "	4' 1 $\frac{7}{32}$ " - 6' 0 $\frac{27}{32}$ "	11 $\frac{13}{16}$ " - 1' 10 $\frac{23}{32}$ "



Weight and door size ratio calculations

The maximum weight must be adapted depending on the door size ratio.

TH \ TB	300	350	400	450	500	550	600	650	700	750
1850	25	25	25	25	25	25	25	24	23	22
1800	25	25	25	25	25	25	25	23	22	21
1750	25	25	25	25	25	25	24	22	21	21
1700	25	25	25	25	25	25	24	21	21	20
1650	25	25	25	25	25	25	23	21	20	19
1600	25	25	25	25	25	24	22	20	19	18
1550	25	25	25	25	25	24	21	19	18	18
1500	25	25	25	25	25	23	21	18	18	17
1450	25	25	25	25	24	22	20	18	17	16
1400	25	25	25	25	24	21	19	17	16	15
1350	25	25	25	24	23	21	18	19	16	15
1300	25	25	25	24	22	20	18	15	15	14
1250	25	25	24	23	21	19	17	15	14	13

Door weight in kg | TB = Door width in mm | TH = Door height in mm

Accessories

– Straightening fitting from page 236

Planning/execution

Configure with just a few clicks on www.concepta.hawa.com

Further information about the product can be found on www.hawa.com.