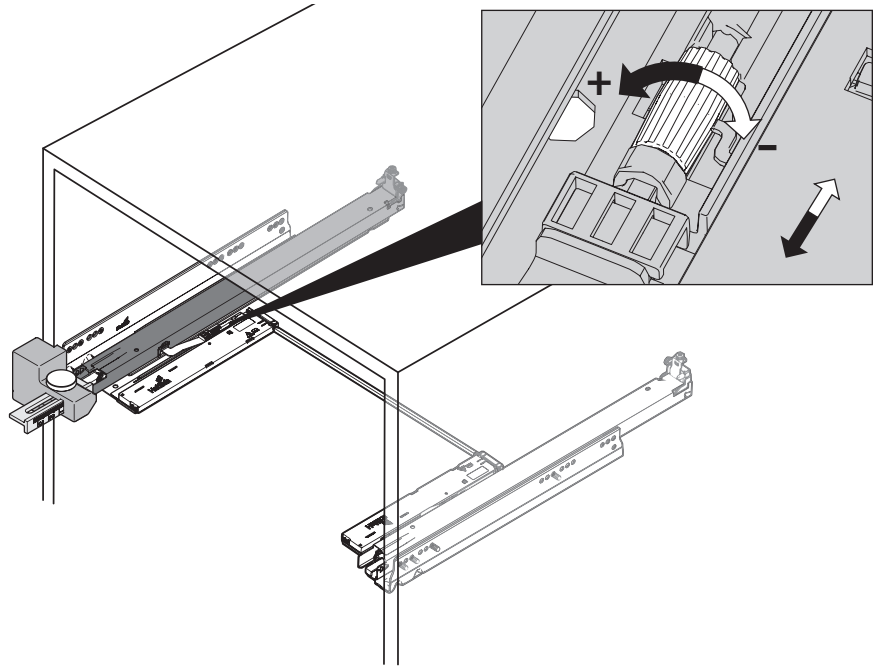
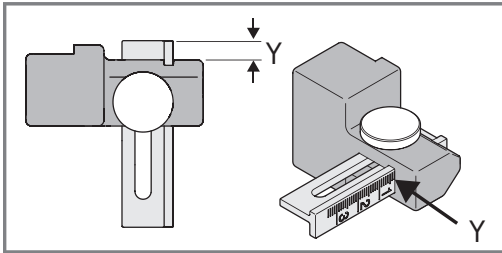
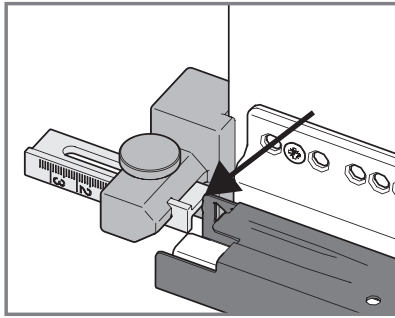
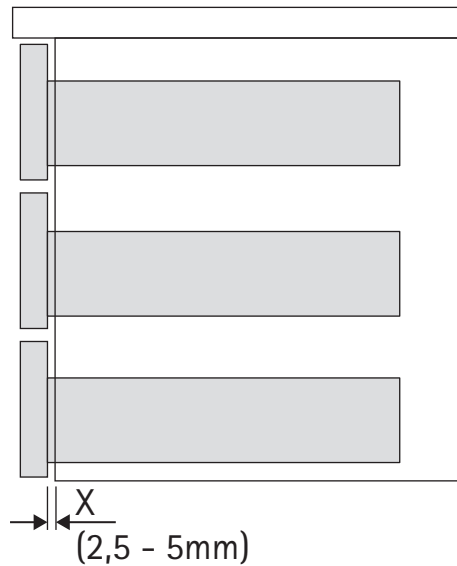


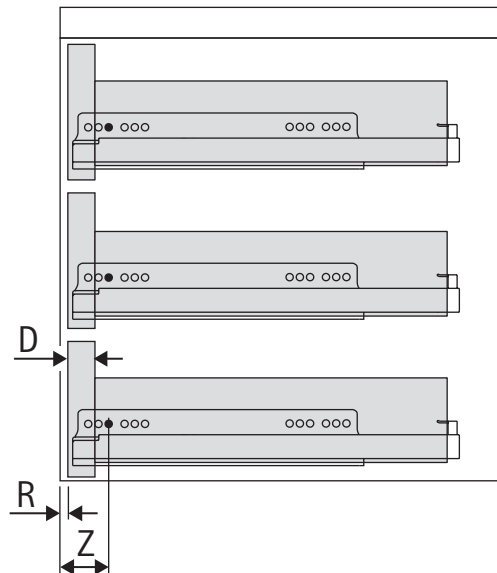
www.hettich.com/short/b8b2aa



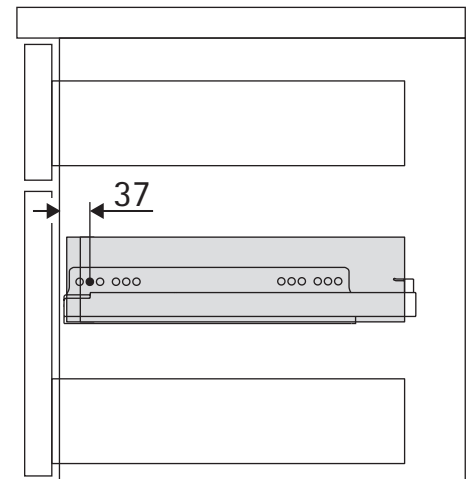
1



2



3



	Actro 5D	Actro YOU Quadro YOU	Quadro 4D V6	Quadro 4D V6 USA
1	$Y = 6 - X$	$Y = 6 - X$	$Y = 5,5 - X$	$Y = 23,5 - X$
2	$Z = 40 + D + R$ $Y = 6 + D + R$	$Z = 40 + D + R$ $Y = 6 + D + R$	$Z = 40 + D + R$ $Y = 5,5 + D + R$	$Y = 23,5 + D + R$
3	-	$Y = 12,5$	-	-