

Removable, replaceable and extendible at any time!

Wall pocket hardware for sliding doors weighing up to 80 kg (176 lbs.), for low headroom applications.

Description

HAWA-Junior 80/B-Pocket is the new pocket solution for wooden sliding doors weighing up to 80 kg (176 lbs.). Fitting and removing the running track is always possible even in fixed pocket structures thanks to the retainer profile with a bayonet lock. All of the components can be replaced and extended at any time. Furthermore, the high degree of pre-assembly also prevents contamination of the running track during the construction phase.

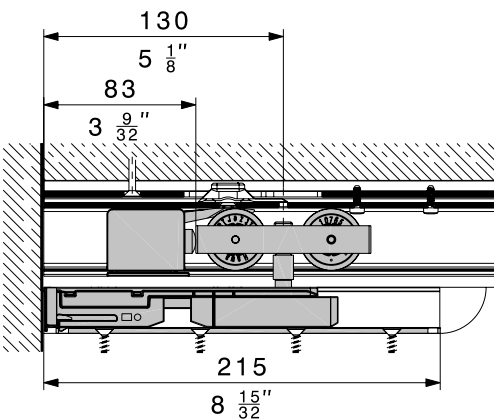
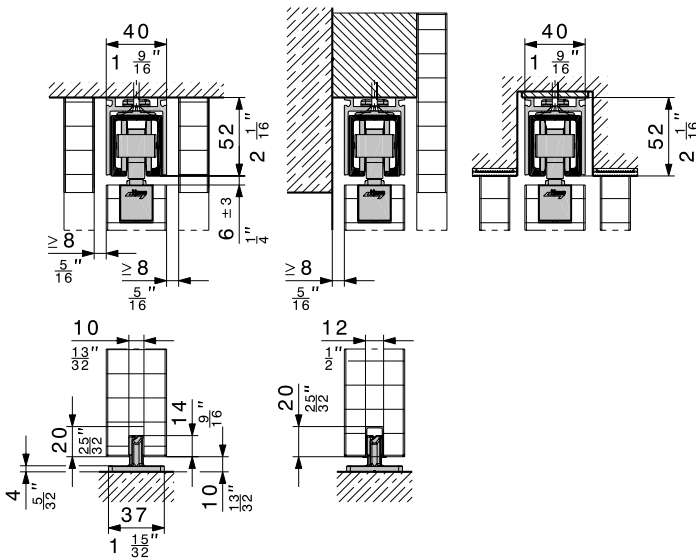
The suspension unit designed specifically for pocket installation, the clip-on cover suitable for concealed mounting, the new rattle-proof floor guide and a door push-out round off the comprehensive HAWA-Junior 80/B-Pocket solution.

Applications

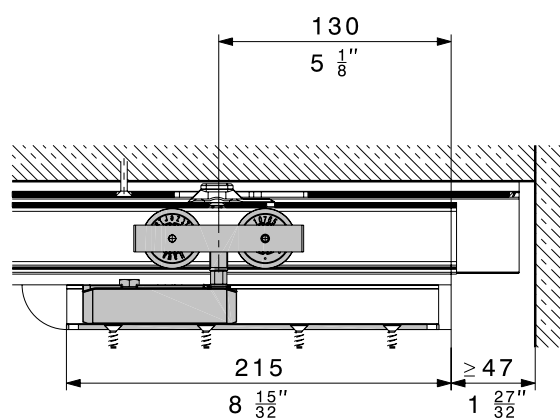
Ideal for optimising room space and making wooden sliding doors easy also disabled users to close, for example in retirement homes, care homes, shopping centres, schools and public buildings, as well as in family homes, apartment complexes and hotels.

Features of the HAWA-Junior 80/B-Pocket

- Maximum door weight 80 kg (176 lbs.)
- Entire door opening width: 700–1500 mm (2'3⁹/₁₆"–4'11¹/₁₆"
- Door thickness: 40–50 mm (1¹⁹/₃₂"–1³¹/₃₂"
- Adjustable vertically ± 3 mm (¹/₈"), with integrated anti-twist protection
- Horizontal longitudinal adjustment range in the bayonet ± 8 mm (⁵/₁₆")
- Suspension with retainer profile and integrated suspension trolley
- Door is easier to slide into the pocket
- The end position can be adjusted via the suspension trolley in the pocket when the door is open
- Rattle-proof running track assembly
- Laterally adjustable rattle-proof floor-mounted guide
- Separating layer between running track and retainer profile reduces vibration transmission (structure-borne noise)
- Removable running track up to 3 m (9'10¹/₈") even in fixed pocket structures
- Components in the running track can be replaced or added to as required at any time
- Door push-out can be integrated in the running track
- Clip-on cover for concealed attachment of the lintel panelling up to a material thickness of 40 mm (1¹³/₃₂")
- Can be combined with soft closing mechanism SoftMove 80 for HAWA-Junior 80



Door position: closed




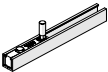
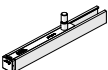
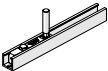
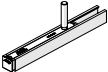



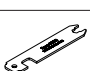
Door position: open, inside the pocket

Subject to modification. Metric specifications are exact. Inches are approximate.

Set for single door, without assembly set, without running track

	code
HAWA-Junior 80/B-Pocket, set for single door	25074
HAWA-Junior 80/B-Pocket, set with a 20 mm ($\frac{3}{4}$ " longer hanger bolt for single door	26014

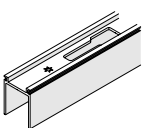

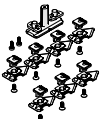

Set comprising

				code
		25074	26014	
	Two-wheeled trolley, M10, with plastic wheels	2	2	10407
	Top fixed suspension with plate and hanger bolt M10 for pocket solution	1	-	24323
	Top fixed suspension with plate and hanger bolt M10	1	-	24246
	Top fixed suspension with plate and a 20 mm ($\frac{3}{4}$ " longer hanger bolt M10 for pocket solution	-	1	26003
	Top fixed suspension with plate and a 20 mm ($\frac{3}{4}$ " longer hanger bolt M10	-	1	24846
	Track stop, adjustable retaining force	1	1	24497
	Screw-on rubber door stop	1	1	10629
	Guide, rattle proof, for screw mounting to floor, groove width 10 mm ($\frac{3}{8}$ "), black plastic	1	1	25369
	Suspension assembly locking wrench	1	1	10778

Assembly set for running track

	code
Set for mountable and demountable running track for 2000 ($6'6\frac{3}{4}$ "), to HAWA-Junior 80	25207
Set for mountable and demountable running track for 2500 ($8'2\frac{7}{16}$ "), to HAWA-Junior 80	25371
Set for mountable and demountable running track for 3000 ($9'10\frac{1}{8}$ "), to HAWA-Junior 80	25441

Set comprising

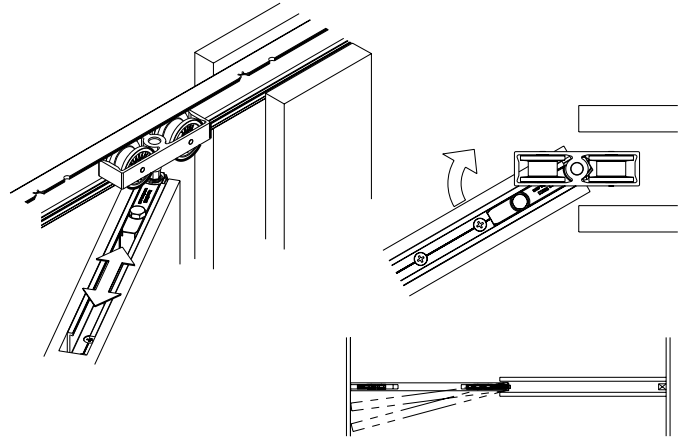
		mm/inch				code
			25207	25371	25441	
	Retainer profile with a bayonet lock, alu plain anodized, for length of running track	2000 ($6'6\frac{3}{4}$ ")	1	-	-	25212
		2500 ($8'2\frac{7}{16}$ ")	-	1	-	25443
		3000 ($9'10\frac{1}{8}$ ")	-	-	1	25444
	Small parts set to retainer profil, set of 6 pieces for length of running track	2000 ($6'6\frac{3}{4}$ ")	1	-	-	25520
	Small parts set to retainer profil, set of 7 pieces for length of running track	2500 ($8'2\frac{7}{16}$ ")	-	1	-	25521
	Small parts set to retainer profil, set of 9 pieces for length of running track	3000 ($9'10\frac{1}{8}$ ")	-	-	1	25522

Subject to modification. Metric specifications are exact. Inches are approximate.

The pocket solution

HAWA-Junior 80/B-Pocket stands for easier insertion of the door in a pocket:

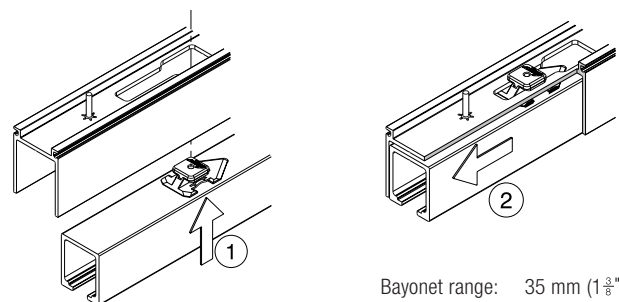
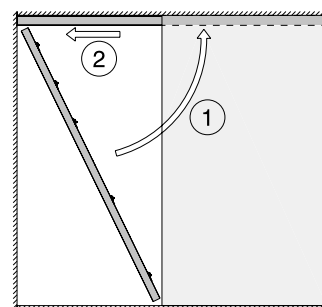
- The pivot point of the suspension unit is at the end of the door on the pocket side
- The suspension unit on the pocket side can be pushed towards the middle of the door during installation
- Easy and efficient height adjustment when the door is installed



Assembly set

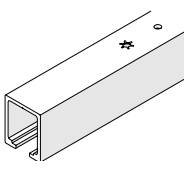
The retainer profile with bayonet lock is pre-assembled and therefore offers the greatest possible protection from running track contamination during the construction phase. The running track can be installed and removed at any time once the pocket is completed, be it to fit or replace additional components.

The rattle-proof bayonet lock with entry ramp makes it easier to install the running track in the retainer profile. The separating layer between the two profiles reduces vibration transmission (structure-borne noise).



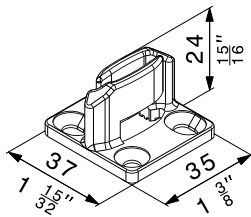
Bayonet range: 35 mm ($1\frac{3}{8}$ ")
Adjustable in the bayonet: ± 8 mm ($\frac{5}{16}$ ")

Running tracks

Caution: Hole positions vary		mm/inch	code
 <p>Running track, alu plain anodized, predrilled</p>		1400 (4'7 $\frac{1}{8}$ ")	10189
		1600 (5'3")	10190
		1800 (5'10 $\frac{7}{8}$ ")	10191
		2000 (6'6 $\frac{3}{4}$ ")	10192
		2200 (7'2 $\frac{5}{8}$ ")	10193
		2500 (8'2 $\frac{7}{16}$ ")	10194
	3000 (9'10 $\frac{1}{4}$ ")	18532	
	cut to size	10188	

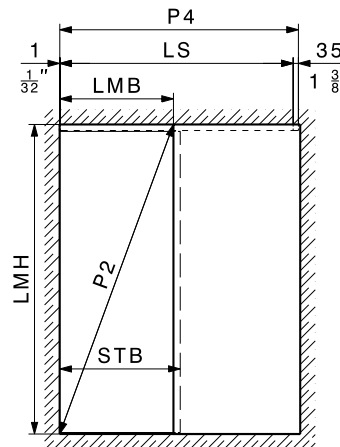
Rattle proof floor guide

The rattle-proof floor guide [groove width 10 mm ($\frac{13}{32}$ ")] is now 35 mm ($1\frac{3}{8}$ ") long and laterally adjustable. It enables the door to be pushed into a finished wall pocket.



Length of running track

The length of the running track must not exceed the diagonal clearance [P2-80 mm ($3\frac{5}{32}$ ")].

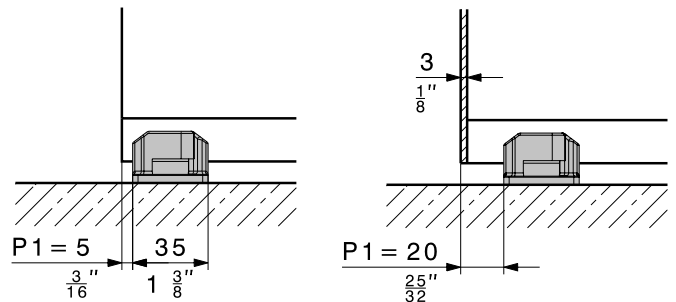


LMB	Entire opening width
LMH	Entire opening height
STB	Sliding shutter width
P2	Diagonal clearance

Sliding shutter width

The following factors play a role in calculating the width of the sliding door:

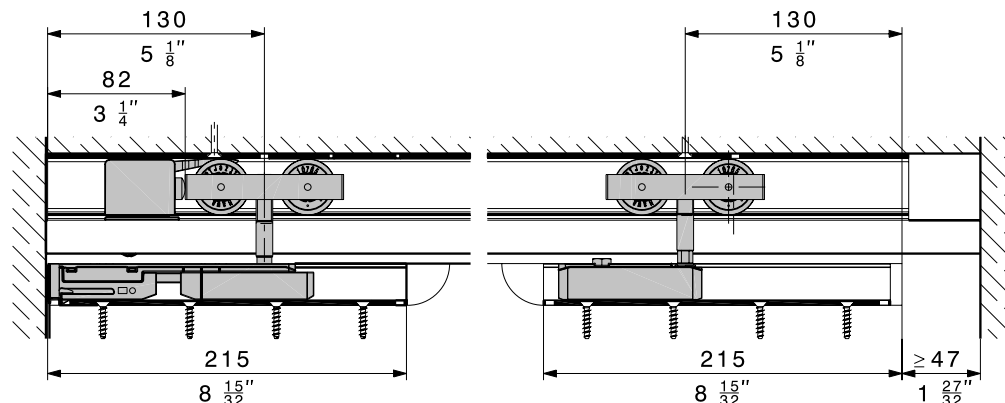
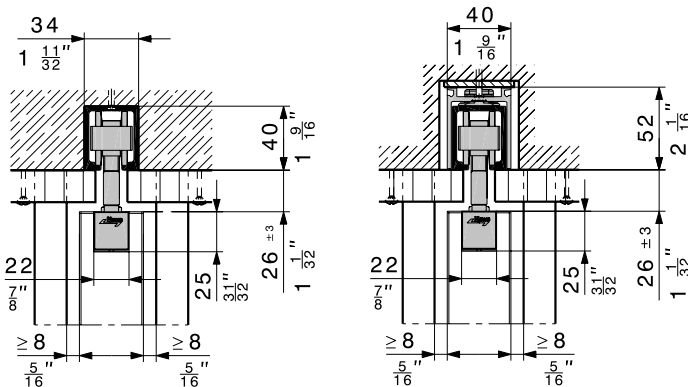
- Open or closed guide groove
- Design with or without a door push-out (spring-loaded door stop no. 25370)



$$STB = LMB + P1 + 30 \text{ mm } (1\frac{3}{16} \text{ inch})$$

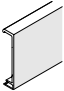
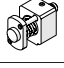
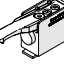



Variant with a 20mm ($\frac{25}{32}$ inch) longer hanger bolt

Set no. 24851 allows the running track to be covered from below with removable ceiling elements.



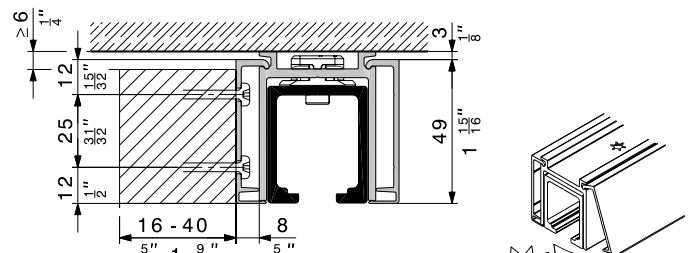
Subject to modification. Metric specifications are exact. Inches are approximate.

Accessories

		code
	Clip-on cover 2000 mm (6'6 $\frac{3}{4}$ "") alu plain anodized for lintel mounting for HAWA-Junior 40	25445
	Spring-loaded door stop for door weight up to 80 kg (176 lbs.) integrated in HAWA-Junior 80 running track	25370
	Track stop, adjustable retaining force	1 piece 24497
		set of 10 pieces 25962
	Guide profile, plastic black, 1300 mm (4'3 $\frac{3}{16}$ "") groove mounted, set of 10 pieces	14540
	Soft closing mechanism SoftMove 80 for HAWA-Junior 80	22444
	Two-wheeled trolley, M10, with plastic wheels, set of 10 pieces	25952

Optional cover for retainer profile

The optionally available aluminum cover simply clips onto the retainer profile with no need for additional fastening components. Installers can attach the clip-on cover to panels with a material thickness of up to 40 mm (1 $\frac{19}{32}$ "") for concealed panel attachment.

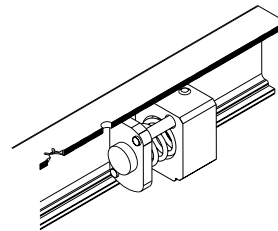


Third-party panel of up to 40 mm (1 $\frac{19}{32}$ "")
material thickness possible

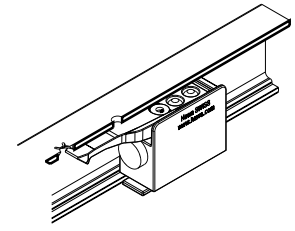
Optional door push-out

The specifically developed spring-loaded door stop no. 25370 is integrated in the running track if a door push-out without visible hardware components is desired.

Track stop no. 24497 is recommended for systems without a door push-out.



Spring-loaded door stop no. 25370



Track stop no. 24497

Planning/installation

For planning and installation purposes, please use the installation drawings:

- code 25089 HAWA-Junior 80/B-Pocket, set
- code 25558 Assembly set for running tracks in wall pockets for HAWA-Junior 80

(→ www.hawa.ch → HAWA-Productfinder)

For convenient operation of sliding doors with soft closing mechanisms, use protruding handles instead of shell handles.

→ Caution: Danger of collision with the pocket structure.

Accessories

Accessories: → pages 68–83

Order specifications

- Quantity of sets
- Type and quantity of assembly sets
- Type, quantity and length of running track

Optional order specifications

- Quantity of clip-on cover for retainer profile
- Quantity of spring loaded
- Quantity of track stop
- Quantity of guide profile
- Quantity of soft closing mechanism SoftMove 80 for HAWA-Junior 80