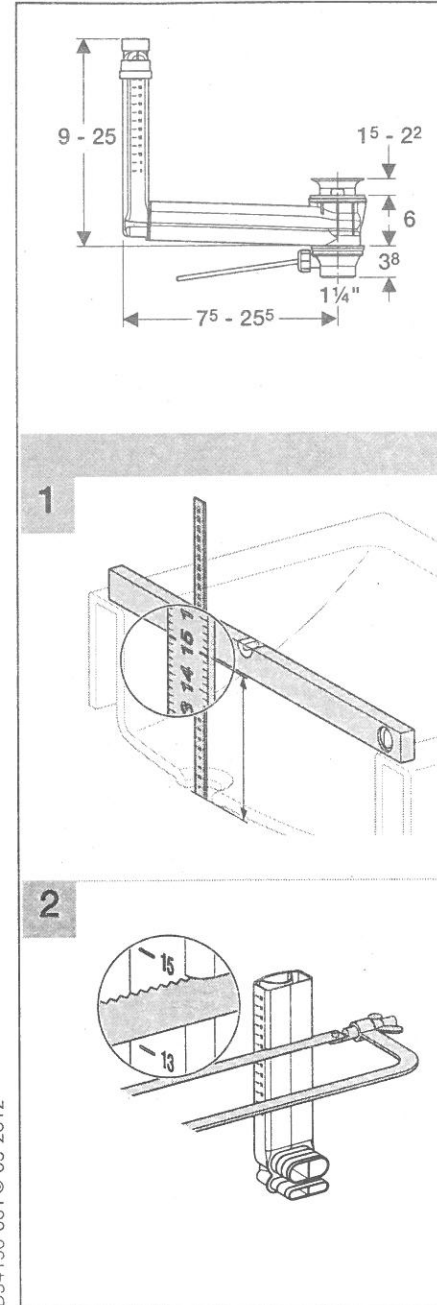


D54156-001 © 03-2012



D54156-001 © 03-2012

